

Suzhou Jingtong Instrument CO., Ltd

HVS-200P USB Optical Integrated Stereo Digital Video Camera Microscope with Measuring Software & LED Light



Description:

HVS-200P integrated microscope combined the traditional optical and electronic video technology. It is compact in size, one power cord connected the body and screen provides easy operation.

Two partition LED lights with adjustable switch knob, and the inner & outer illumination control independently. The outer oblique light to observe more details. The inner coaxial light to observe more accurate images.

Equipped with 11.6" HD IPS Display Screen, 60fps@1920 * 1080p Resolution for clear and sharp image. The display screen can be tilted back 90°, angle adjustable. Integrated measurement software, real-time photos, video, preview, settings, measurement etc. Dual screen output (HDMI-compatible & USB) can be realized simultaneously.

This kind of optical microscope is widely used in agriculture and forestry, archaeological identification, PC line inspection, textile industry, universities and research institutions etc.

Suzhou Jingtong Instrument CO., Ltd

Features:

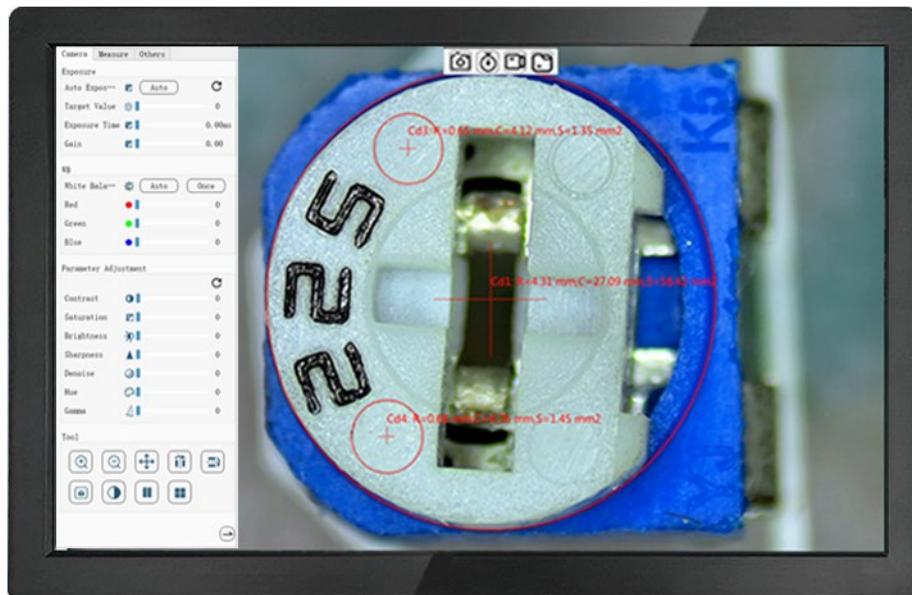
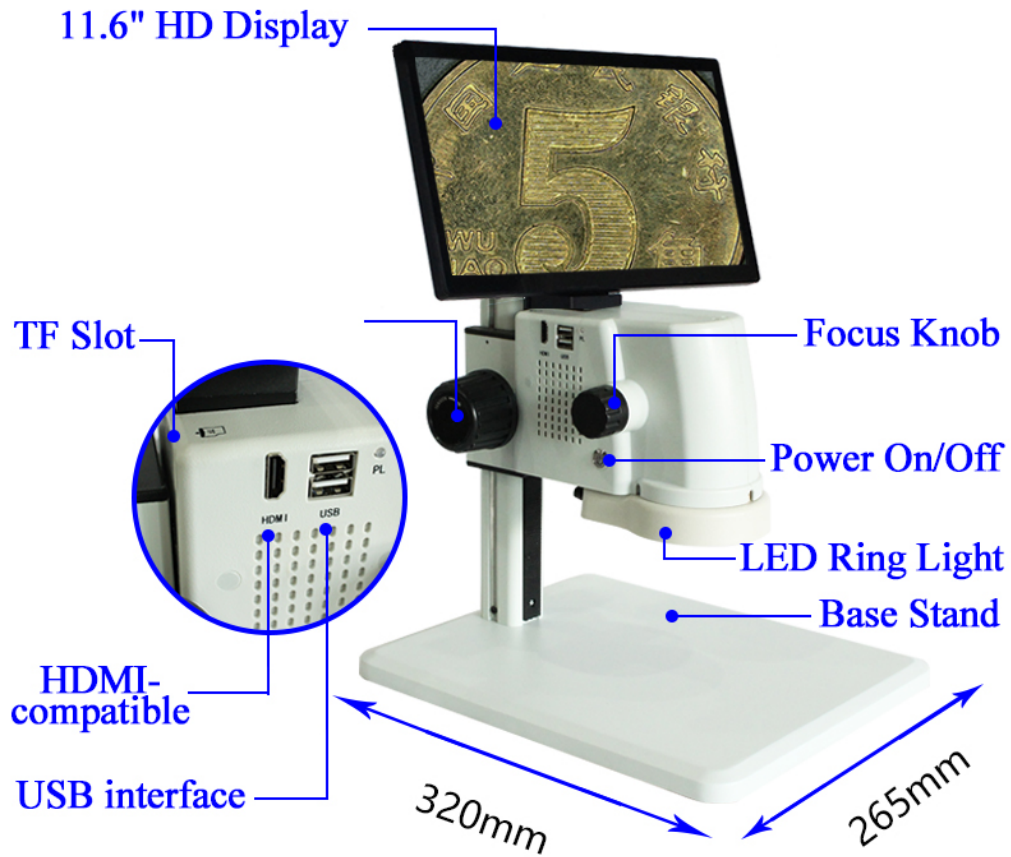
- ① Equipped with 11.6" IPS display screen;
- ② HDMI-compatible & USB outputs can be realized simultaneously;
- ③ Integrated camera, with measurement, photo, video and save functions;
- ④ External mouse and TF card provide easy operation.

Specification:

Specification for HVS-200P		
Magnification	17X~110X	
Objective	0.7X-4.5X stereo zoom, zoom ratio 6.4:1	
Display	11.6Inch、1920H*1080V、IPS Screen	
Hardware Parameters	Imaging sensor	1/2.8Inch SONY CMOS
	Real-time image frame rate	60fps@1920*1080
	Photograph	5 mega-pixel
	Recording	45fps@1920*1080
	Output Interface	HDMI-compatible
	Input Interface	Double USB2.0
Internal Software Parameters	Camera Parameters	Exposure, Whitebalance, Gain, Gamma, Brightness, Contrast, Hue, Saturation, Gray
	OSD Operation	Mouse
	Storage Function	Snap, Record, USB Storage
	Measurement	Point, Line, Parallel lines, Broken lines, Angle, Diameter circle, Radius circle, Three-point circle, Distance from circle to line, Concentric circles, Double circle, Vertical line, Arbitrary line, Polygon, Arc, Mark, Screenshot, Table data export, Calibration, Parameter Settings
	Other Function	Flip horizontally, Flip vertically, Freeze
	Scale Ruler	3 kinds
	Grid lines	8 groups
Languages	Simplified Chinese, Traditional Chinese, English, French, Russian, Japanese, Italian, German	
Auxiliary Lens	0.5X / 2X	
Light Source	56 LED Ring Light, brightness adjustable	
Base Stand	Standard: 265*320mm. (Various bases are available according to customers' requirements)	

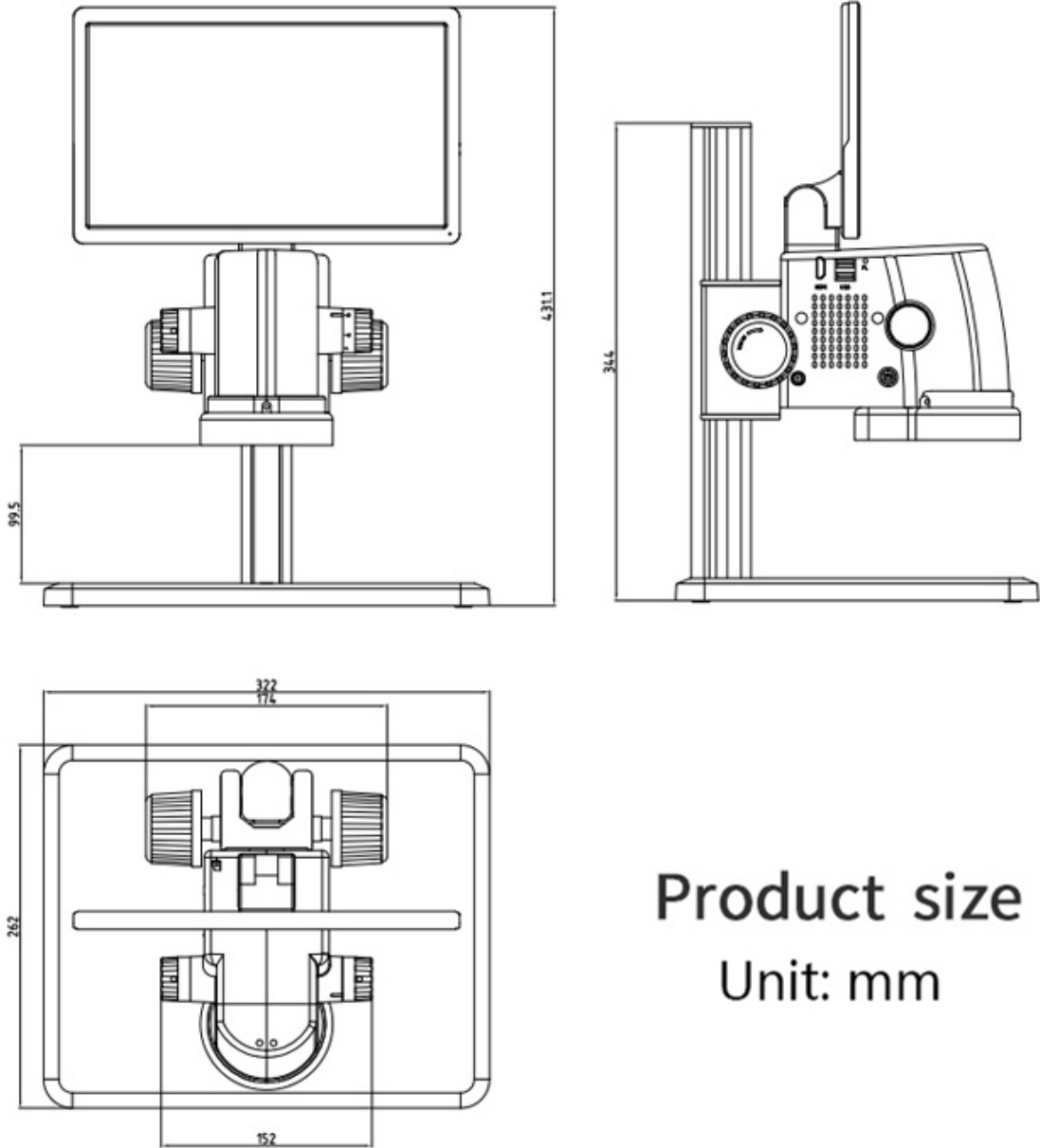
Suzhou Jingtong Instrument CO., Ltd

Structure:



Suzhou Jingtong Instrument CO., Ltd

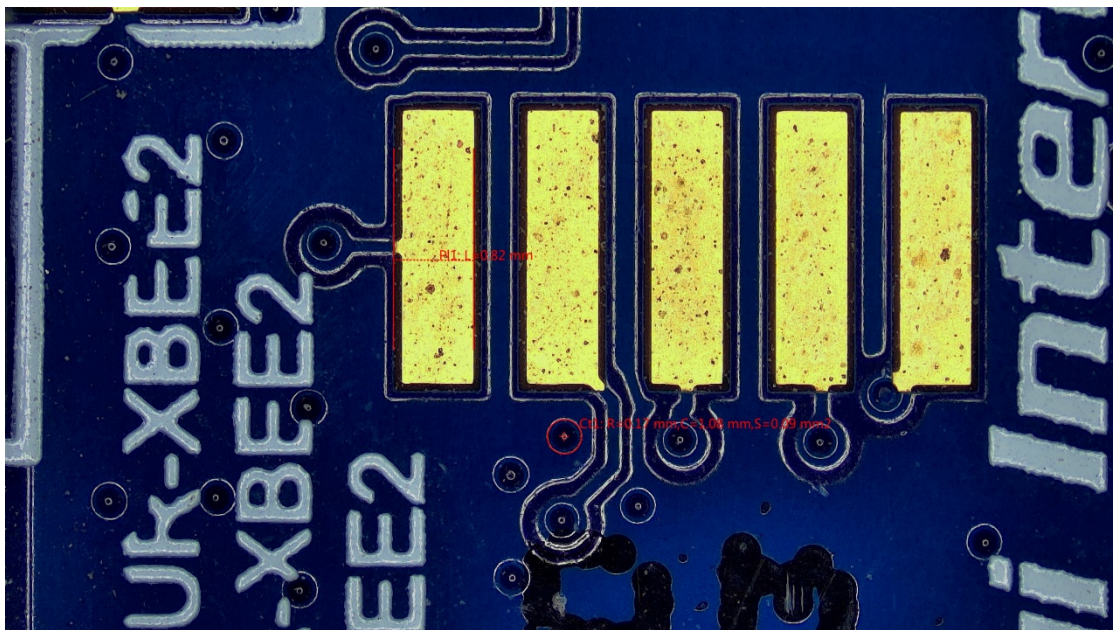
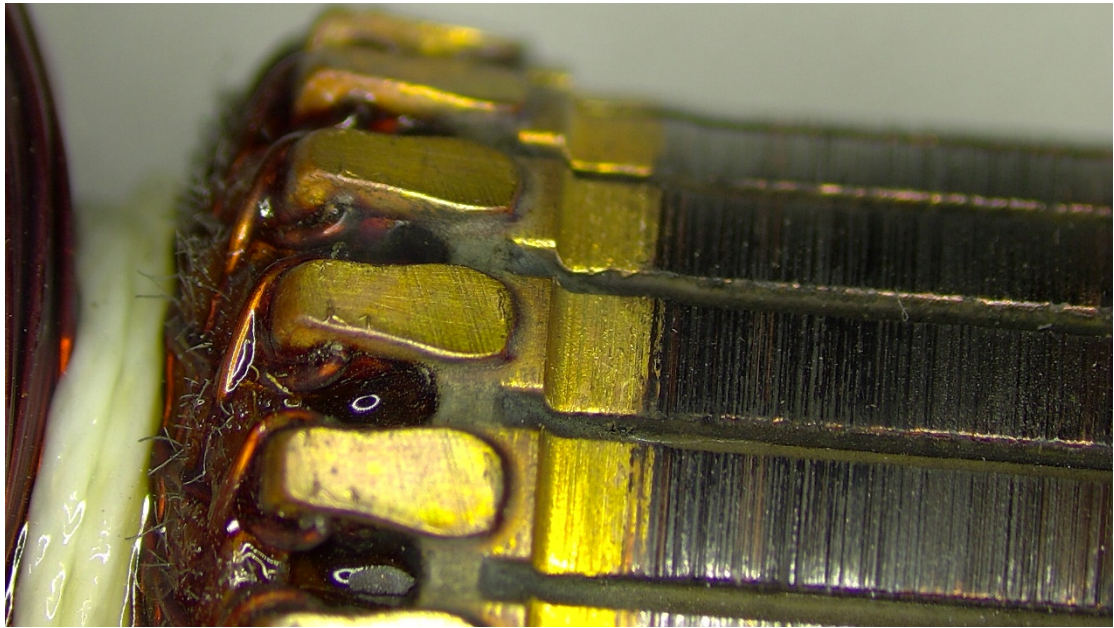
Size:



Product size

Unit: mm

Samples:



Suzhou Jingtong Instrument CO., Ltd

